

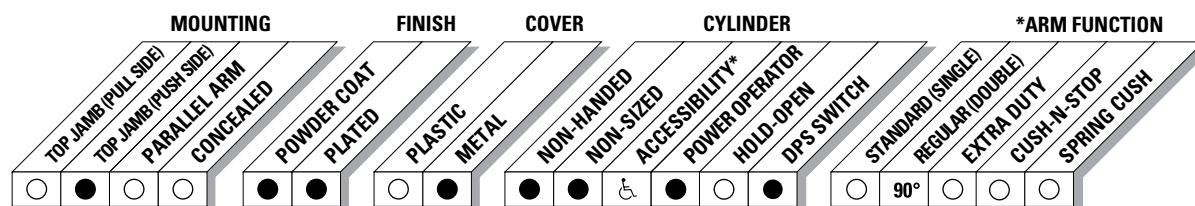


The 4820 AUTO EQUALIZER™ is LCN's pneumatically powered MULTI-DOOR solution. This low-energy automatic operator provides easy access for people with disabilities, or the elderly. Designed primarily for manual opening applications that occasionally require automatic opening.

Certifications	Grade 1 - ANSI A117.1, A156.19, UL 10C 228, ADA, 100 Hour Salt Spray, Meets BAA - Buy American Act	Cover	Metal, standard
Body Construction	<ul style="list-style-type: none"> ■ Cast Iron Body ■ Full Complement Bearing ■ 1-1/2" Diameter Piston ■ 3/4" Diameter Double Heat Treated Pinion Journal 	Fasteners	Wood and machine screw
Fluid	All Weather Fluid	Mounting	Top Jamb (Push Side)
Handing	Non-Handed	Arms	<ul style="list-style-type: none"> ■ Regular arm, standard ■ Long arm, optional
Size	Adjustable Spring Size 2-5	Finishes/Colors/ Powder Coat	<ul style="list-style-type: none"> ■ Aluminum (689) ■ Statuary Bronze (690) ■ Light Bronze (691) ■ Black (693) ■ Dark Bronze (695) ■ Brass (696) ■ Custom colors optional
Warranty	2 years		<ul style="list-style-type: none"> ■ Optional SRI primer - powder coat only ■ Optional plated finishes

**Special
Templates**

Customized installation templates or products may be available to solve unusual applications. Contact LCN Product Support for assistance.



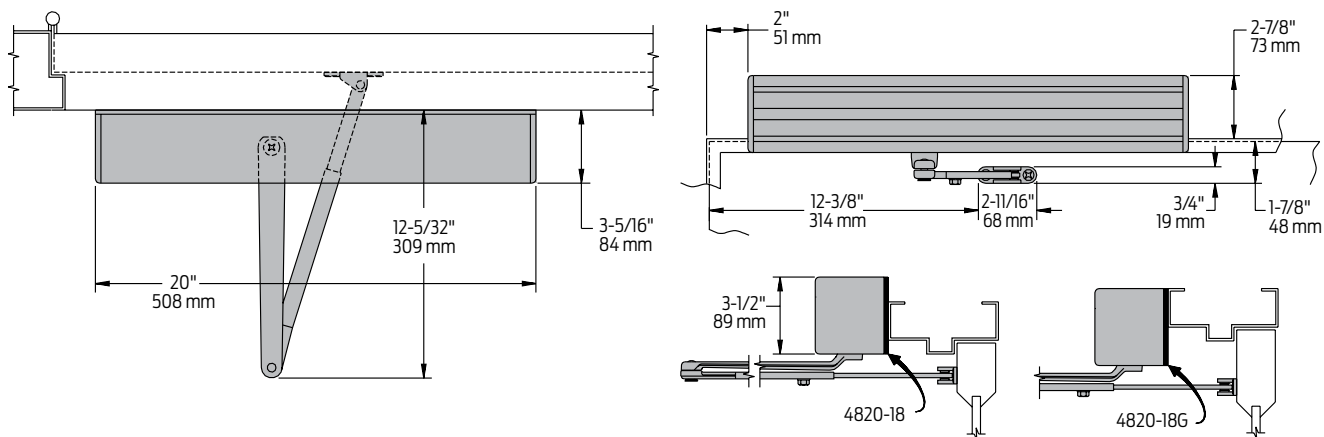
● AVAILABLE
○ NOT AVAILABLE

♿ Meets ADA requirements (power mode).
* See individual series for maximum manual opening.

4820 Series Auto Equalizer

Mounting details

Top Jamb (Push Side) Mounting



Butt Hinges	Should not exceed 5" (127 mm) in width
Auxiliary Stop	Recommended
Reveal	<ul style="list-style-type: none"> ■ 4-1/2" (114 mm) allows up to 90° power opening and 100° manual opening ■ 8" (203 mm) allows up to 90° power opening and 100° manual opening with LONG ARM where standard rod and shoe is replaced with optional LONG ROD AND SHOE, 4820-79LR
Head Frame	<ul style="list-style-type: none"> ■ Minimum 1-3/4" (44 mm) ■ With flush ceiling use PLATE, 4820-18G substituted for standard plate
Top Rail	<ul style="list-style-type: none"> ■ Minimum 1-3/4" (44 mm) ■ Closer on 4820-18G plate requires 3" (76 mm) minimum
System Diagram	See "AUTOMATIC OPERATORS" section pages 7-8 for typical system wiring, and pages 28-29 for electrical and pneumatic data for control boxes
Maximum opening	Templating allows 90° power opening and 100° manual opening
Options	Door position switch (DPS) kit that signals when the door has reached the open position

Notes:

- Multi-door solution utilizing 10,000,000 cycle heavy duty door closer
- Requires control boxes with integral compressor and control box using auxiliary air supply
- See CONTROL BOX pages 27-29 and actuators and accessories, pages 118-133
- Guard rails/safety mats not required

Cylinders



4822-3971
Cast Iron Cylinder Assembly

- Non-handed
- Standard



4822-3071
Cast Iron Cylinder Assembly

- Non-handed
- Includes; 4820-18 Mounting Plate or 4820-18G Mounting Plate (must specify)
- Standard

Cover



4820-72MC
Metal Cover

- Non-handed
- With black end caps
- Standard

Arms



4820-3077
Regular Arm

- Non-handed
- Standard



4820-3077L
Long Arm

- Includes LONG ROD AND SHOE, 4820-79LR for deep reveals
- Optional

Installation Accessories



4820-18
Plate

- Requires minimum 1-3/4" (44 mm) minimum head frame and 2" (51 mm) top rail
- Standard



4820-18G
Plate

- Requires minimum 1-3/4" (44 mm) minimum head frame and 2" (51 mm) top rail
- Standard



4820-3377
Door Position Switch Kit

- Provides feedback when the door reaches the fully opened position
- Specifically RH or LH when ordering

4820 Series Auto Equalizer

Ordering Information

How-to-order 4820 Series

Specify finish

- Standard Powder Coat _____
Aluminum, Dark Bronze, Statuary, Light Bronze, Black, Brass

Closer options

Finishes

- Custom Powder Coat (RAL)- _____
- Plated Finish, US- _____

Arm

- Long (LONG)

Screw pack

- TB*, Wood & Machine Screw (TBWMS)
*Specify door thickness if other than 1-3/4"

Closer will be shipped with:

- Standard cylinder
- Standard metal cover
- Regular arm
- Wood and machine screw pack
unless options listed below are selected.

Installation Accessories

- Plate, 4820-18
- Plate, 4820-18G
- Door Position Switch Kit, 4820-3377 LH
- Door Position Switch Kit, 4820-3377 RH

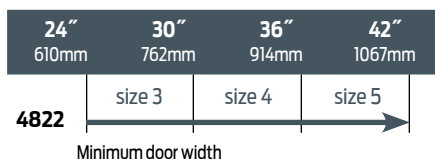
Special template

- ST- _____

Table of sizes

- Non-sized 4820 Series cylinder is adjustable from size 2 through size 5 and is shipped set to size 3
- Closing power of 4820 Series closers may be increased 50%

Exterior (and Vestibule) door width



Interior door width



→ Indicates recommended range of door width for closer size.